

NORSE RESCUE® Chest Seal

Four Channel Vent



Item No:	BR-00187
Manufacturer:	EMSRUN
Certificates:	CE, FDA, Sterile
Size:	15 x 15 cm
Color:	Transparent, Red tip ID
Country of origin:	Denmark/China
NSN no:	6510-22-636-8498
Tariff:	30051000
Weight:	46 g
Shelf Life:	5 years
Temperatures:	-20C to +60C

NORSE RESCUE® Chest Seal is an advanced occlusive dressing designed to treat open chest wounds.

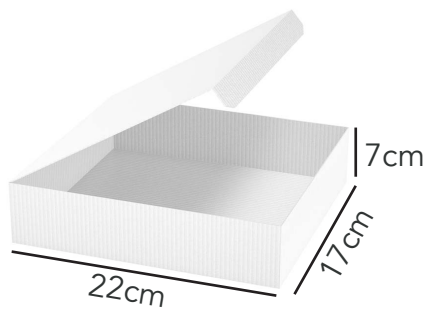
Penetrating injuries to the chest that result in open chest wounds may lead to tension pneumothorax, the second leading cause of preventable death on the battlefield.

Chest Seals are specifically designed with a medical grade hydrogel adhesive strong enough to adhere to skin that is exposed to blood, sweat, hair, sand or water.

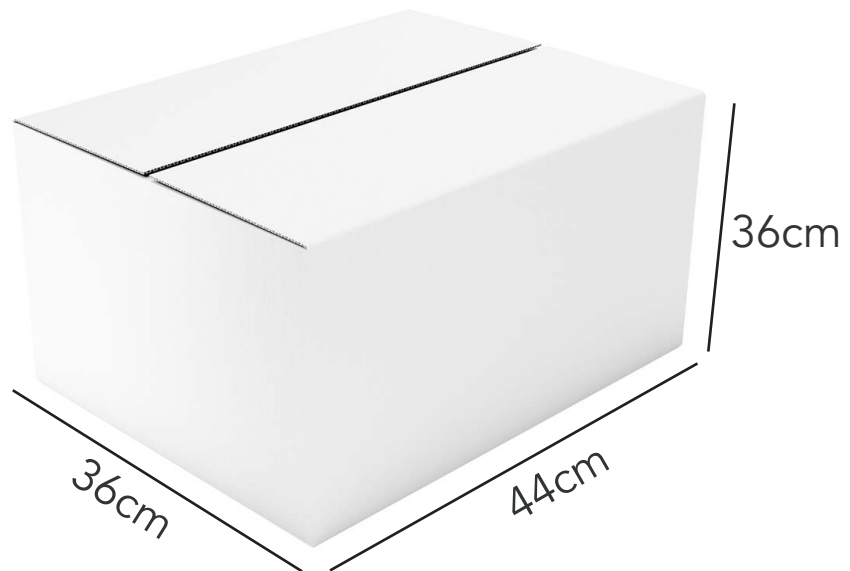
Freight Information

BR-00187

Box



Carton



Item No:	BR-00187
Quantity:	10pcs/Box 20boxes/Carton Total 200pcs/carton

Box Size:	22 x 17 x 17 cm
G.W. Box:	0.54 KG
Carton Size:	36 x 44 x 36cm
G.W. Carton:	11.5KG
UNSPSC Code:	42311500